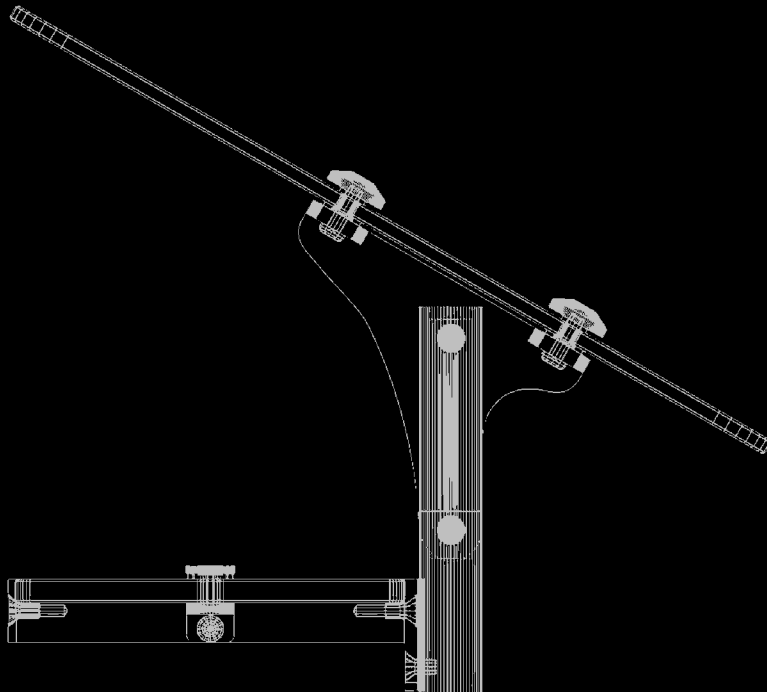


# VERSA-GARD<sup>®</sup>



**VG<sup>™</sup>**  
by **VERSA-GARD<sup>®</sup>**



# VG™ by VERSA-GARD®

## FOOD PROTECTION SPECIALISTS Modular, Convertible, Food Protection Systems™

US Patent 6,485,118 US Patent 7,040,723, and Other Patents Pending



Full Service  
Food Protectors



Vertical  
Food Protectors



Adjustable / Convertible  
Food Protectors

US Patent 6,485,118



Self-Service  
Food Protectors



Display Shelving  
Systems

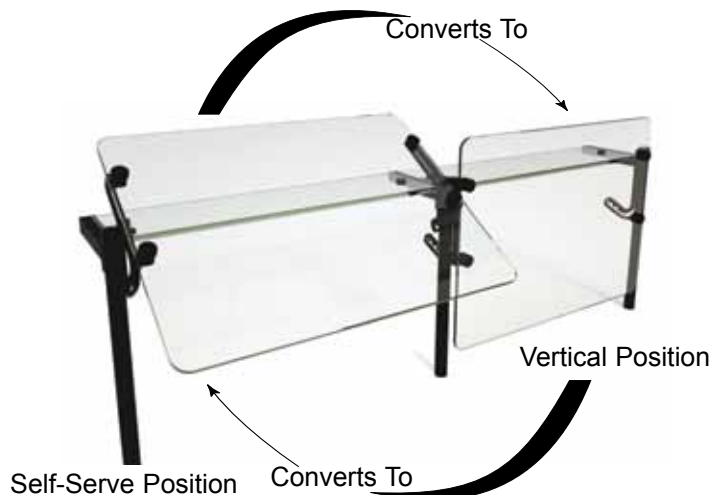


## Features

- NSF/ANSI 2 Listed
- Patent protection (US Patent 6,485,118) on all adjustable / convertible models
- Patents Pending on all VERSA-GARD components and products
- 100% machined, powder coated & assembled in the USA
- All supporting framework machined from 1"Ø solid rod
- Multiple mounting options
- Multiple finishes available – over 200 powder coat colors, brushed stainless steel and clear anodized aluminum
- Easily removable/replaceable tempered glass panels with polished edges & radius corners
- Replacement component parts and tempered glass panels readily available
- Interchangeable glass mounting brackets for simple unit modification on-site
- Modular design allows for changing of unit style without removal of vertical supports
- All VERSA-GARD products are backed by a One-Year Limited Warranty

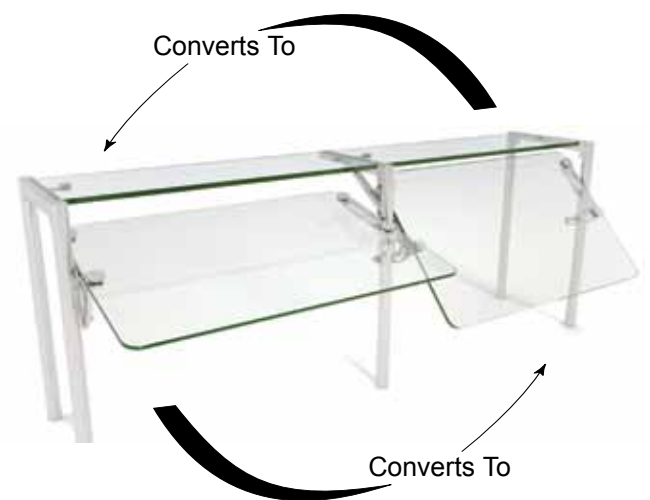
In addition to these innovative features, below are features that clearly makes VERSA-GARD the pioneer in food protection. No other manufacturer offers the following:

- Complete installation guidelines & detailed exploded drawings shipped with each unit
- Complete set of shop drawings and installation tools accompany each shipment
- Assembled & Labeled - all frames are labeled and shipped assembled
- Labeled glass panels - all tempered glass is labeled with unit/item number & location
- Professionally crated - each shipment is professionally crated and packaged to ensure products arrive at jobsite intact
- Documentation / Photographs - every single project photographed during assembly &/or crating, and photos are kept on file



### VG15-SK6L

4-Position Convertible/Adjustable Food Protector Service and/or Self-Service in Seconds  
 1/4" Clear Tempered Glass Front Panel  
 3/8" x 6"D Clear Tempered Glass Top Shelf





# 4-Position Convertible/Adjustable Food Protector

US Patent 6,485,118



Vertical Position  
Closed Station / Attendant-Serve

ADJUSTS IN SECONDS



30° Position  
Attendant-Serve

To adjust, the operator simply lifts the panel by grabbing the bottom edge and pushing up & pulling forward. The brackets engage in 3 varying positions, 30°, 57° & 77°.

## VG15

4-Position Convertible/Adjustable Food Protector

- Available w/ a Variety of Shelf Kits
- 1/4" Tempered Glass Panels
- 48" Maximum CL span Between Supports

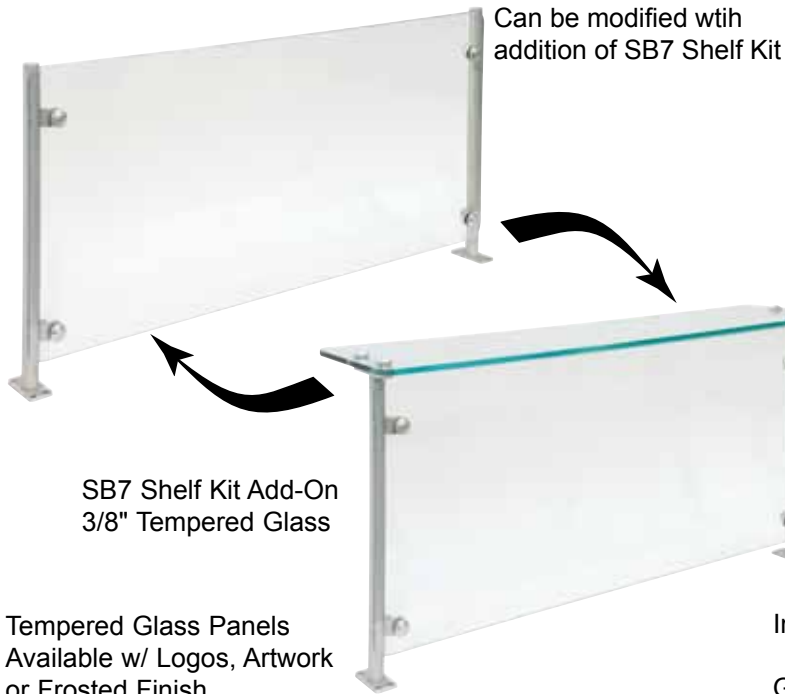


57° Position  
Self-Serve



77° Position  
Self-Serve

## Vertical Protectors



### VP18

Shown w/ SF811 Sign Frame & PS8 8"Ø Plate Shelf





## Curved Glass Protectors

All curved glass food protectors have 6mm clear bent tempered glass panels with radius corners and polished edges.

For special applications glass can be silk-screened with your logo. Tinted and non-glare panels are available upon request. Please consult factory for more information on custom bent glass panels and options.



### VG15C

4-Position Convertible/Adjustable Food Protector

- Available w/ a Variety of Shelf Kits
- 6mm Bent Tempered Glass Panels
- 54" Maximum CL span Between Supports



### VG7.2C-SU41T

Curved-Front Self-Serve Food Protector with Upper Display Shelf



### VG5C

Curved-Front Self-Service Food Protector



### VPC

Curved-Front Full Protector  
Available in 12", 18" & 24" heights



### VG6C

Curved-Front Protector Case with 3/8" Clear Tempered Glass Top Shelf & Side Panels



### VG4I-SKV

Self-Service Island Protector  
w/ 3/8" Glass Top Shelf



### VG6S.1

Sloped-Front Service Protector with  
12" Top Shelf-Shown with Hatco  
food warmer & (2) End Panels

### VG7.2



### VG5C-EC



## VG6S

Sloped Front Service Protector  
with Top Shelf & End Panles

Versa-Gard utilizes 1/4" , 3/8" and 1/2" Tempered Glass Panels, depending on unit style, size, and span. Please consult factory for detailed specifications.



## VG5P

Self-Service Protector  
Shown w/ Optional Plate Shelf  
(PS8) & Sign Frame (SF811)



## VG9-2T-EC

Two-Tiered Self-Service Dessert Display.



## VG6

Service Protector Case with Top Shelf.



## VG7.2C

Curved-Front Self-Serve Food Protector  
w/ Top Shelf. Shown w/ optional Slimline Light Fixture.



## VG5-SK6L

Self-Service Protector  
with Lower Display Shelf



VG6R

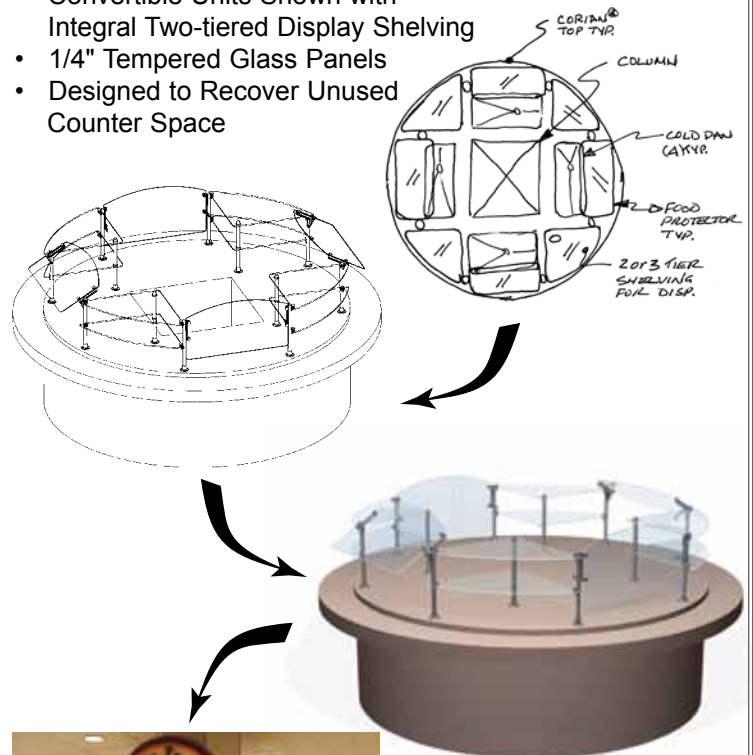
# VG<sup>TM</sup>

by **VERSA-GARD<sup>®</sup>**

## Concepts to Reality

### VG15-SU3-2T

- Convertible Units Shown with Integral Two-tiered Display Shelving
- 1/4" Tempered Glass Panels
- Designed to Recover Unused Counter Space



All Versa-Gard shop drawings completed in AutoDesk<sup>®</sup> Inventor. Drawings are available electronically in PDF format via email, CD-ROM or FTP. They are also available in print upon request. Shop drawings are completed for every single project and kept on file in the event they are required in the future.



## Company Responses

"Versa-Gard has been a very integral part of our 480 store Food Initiative Remodel Program. From their innovative designs to their cutting edge technology they are an outstanding company. Their craftsmanship, attention to detail, quality, and customer service is second to none."

Ronnie Smith  
Corporate Materials Buyer  
QuikTrip Corporation

"Atlas Metal Industry is extremely proud to partner with Versa-Gard, a leading manufacturer of high-end food guard systems. Their state of the art design, engineering, and commitment to quality helps to reinforce the Atlas Metal quality and reputation, and also allows our company to develop and expand into new niche market opportunities."

Howard Bolner  
V.P. Sales / Marketing  
Atlas Metal Industries, Inc.

"Versa-Gard is the most innovative manufacturer in the hardware business. Their creativity and response time are a perfect fit for our company which operates under the same type of customer driven design and manufacturing."

Kristi Estes  
Western Regional Sales Manager  
Barker Company

"Versa-Gard certainly knows how to build and deliver unique, high quality sneeze guards, but their understanding of the food service industry and their advice and oversight during our projects is possibly their most unique trait. We have great confidence in Versa-Gard."

Bobby Hull  
Fixtur World



## VG4I

Self-Service Island Protector



## VG3-2T

Self-Service Food Protector with Display Shelf

"We are extremely happy with all of our Versa-gard food shields. We have worked with Versa-gard for many years and continue to be impressed with the functionality and aesthetic qualities of their products, their commitment to bringing new and innovative products to market and their outstanding customer service."

Jan Singer

Sebastian's Cafe and Catering

"Through the years Versa-Gard has continued to set itself apart from the rest of the foodservice industry. From cutting edge product design to superior customer service and prompt delivery, Versa-Gard keeps WAY ahead of its competition."

James G. Whiffen

Fountainhead Foodservice



## VG5A-DS

Double-Sided Self-Service  
Protector with Top Shelf  
End Panels Optional

# VERSA-GARD®

EUROPA  
by VERSA-GARD

SlimLine  
by VERSA-GARD

EXO  
by VERSA-GARD

EXO<sup>2</sup>  
by VERSA-GARD

GARDIAN  
by VERSA-GARD

VG™  
by VERSA-GARD



VERSA-GARD®

Copyright © 2010 Versa-Gard® All rights reserved.



Ph: 678 730 4155

Fax: 678 730 4160

[www.versa-gard.com](http://www.versa-gard.com)