

# VERSA-GARD<sup>®</sup>



SlimLine<sup>™</sup>  
by VERSA-GARD<sup>®</sup>



**INTRODUCING**

# SlimLine™

by **VERSA-GARD®**

Product boasts all of the features inherent to **VERSA-GARD®** products

- Easy to install
- Easy to clean
- Easy to disassemble for replacement of parts or add-on components
- One-Year Limited Warranty
- 100% CNC Machined Components - proudly made in the USA
- NSF/ANSI 2 Listed

**KEY FEATURES:**

18" Maximum Post Height  
Angled Posts available for any countertop shape or configuration

6mm Flat Tempered Glass  
6mm Bent Tempered Glass  
Max O.A. span of 42"

Options for Side Panels and Anti-Reflective glass panels are available

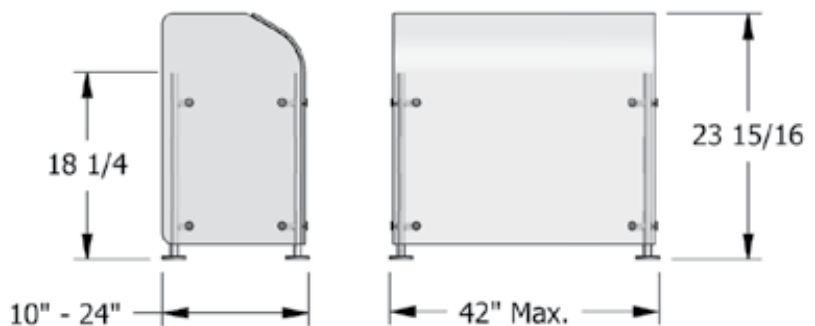
**MULTIPLE FINISHES:**

Brushed Anodized Aluminum  
Brushed Stainless Steel  
Powder-Coated Aluminum (color of your choice)

**SLIMLINE™ Series Features:**

The Slimline™ Series by Versa-Gard® is a vertical food protection system developed to be less obtrusive (3/4" Diameter Supports), lightweight, easy to clean, and easy to install. There are exclusive concealed-mounting options (patent pending) available for the Slimline™ Series that are not available with the other Versa-Gard® Series of protectors. The supports are matched in profile by glass fasteners and smaller profile glass brackets in order to minimize the entire profile of the support member and retain visual uniformity.

**VPC - 3Q**

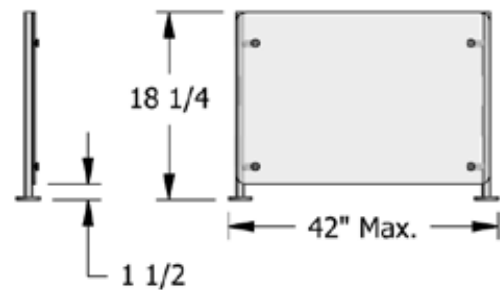




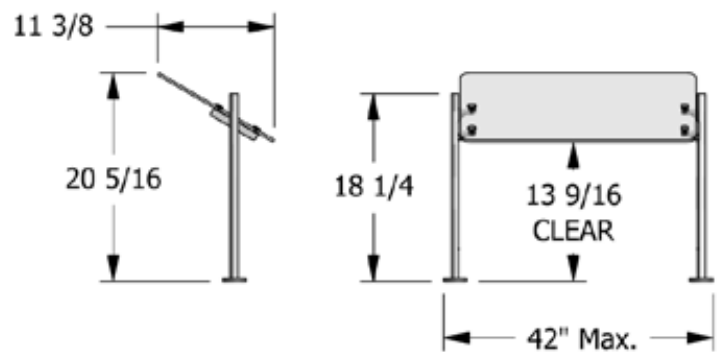
# SlimLine™

by VERSA-GARD®

VP - 3Q



VG5 - 3Q



# VERSA-GARD®

EUROPA  
by VERSA-GARD

SlimLine™  
by VERSA-GARD

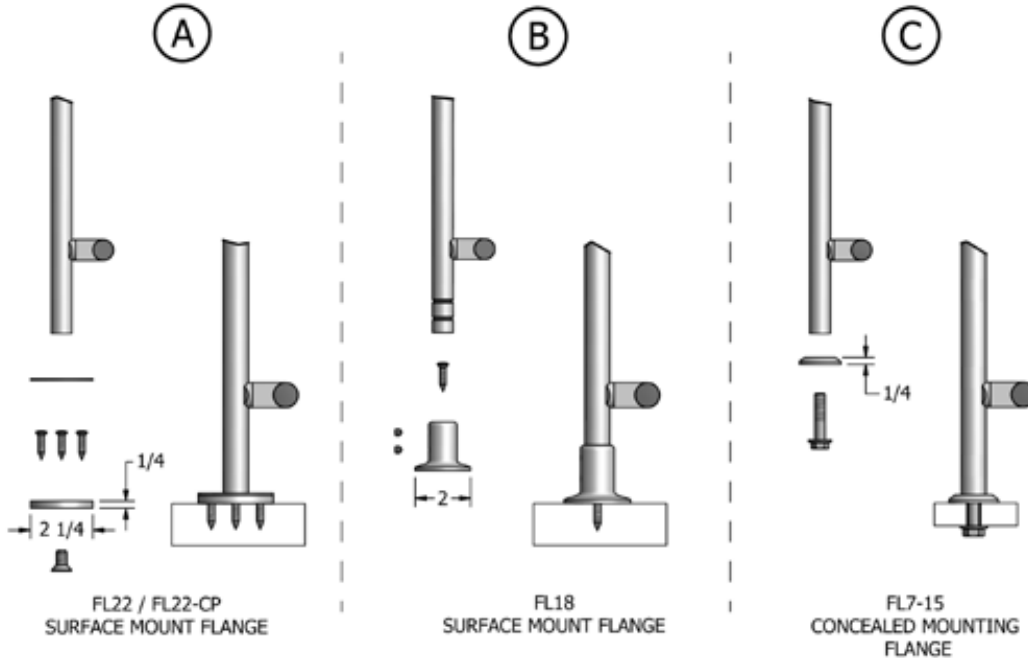
EXO™  
Patent Pending by VERSA-GARD

EXO<sup>G2</sup>™  
by VERSA-GARD

VG™  
by VERSA-GARD

GARDIAN™  
by VERSA-GARD

## MOUNTING OPTIONS



VERSA-GARD®

Copyright © 2008 Versa-Gard® All rights reserved.



Ph: 678 730 4155

Fax: 678 730 4160

www.versa-gard.com

030408