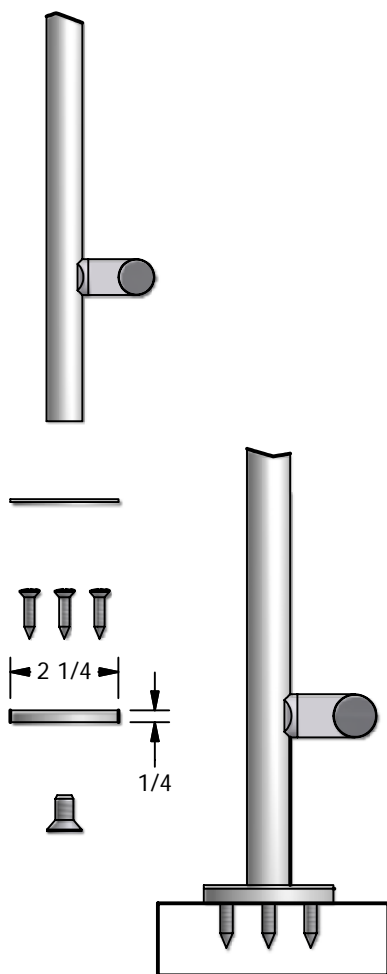
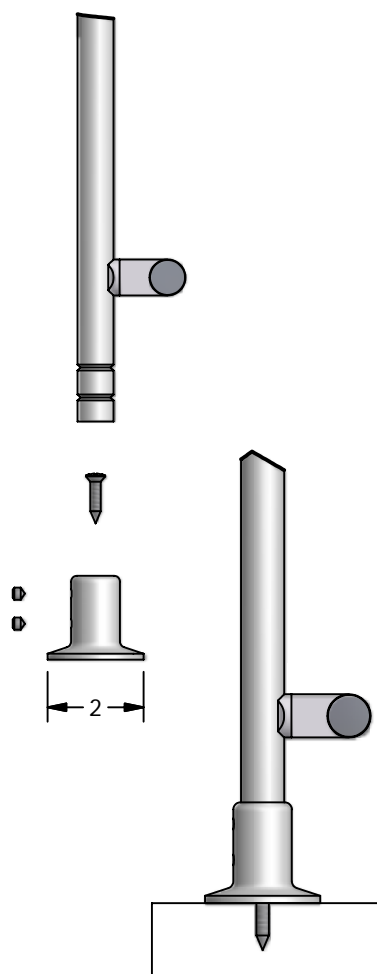


(A)



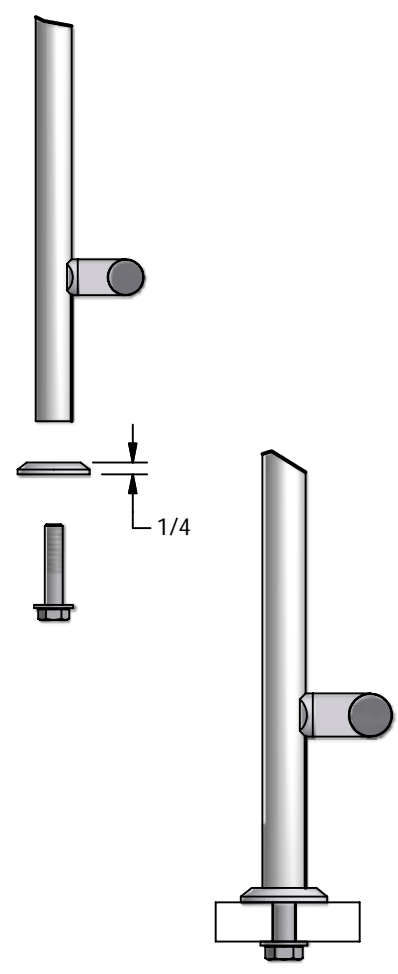
FL22 / FL22-CP  
SURFACE MOUNT FLANGE

(B)



FL18\*  
SURFACE MOUNT FLANGE

(C)



FL7-15  
CONCEALED MOUNT  
FLANGE