

FINISHES:

- Clear Anodized Aluminum
- Brushed Stainless Steel
- Powder Coated Aluminum

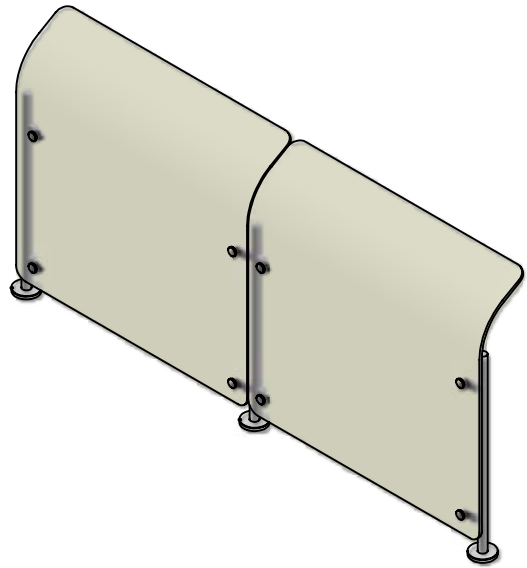
Powder Coat Color:

LINEUP DIMENSIONS:

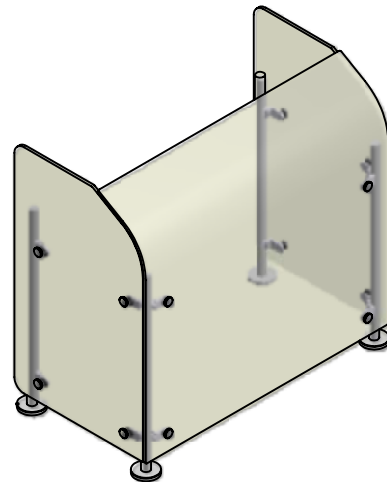
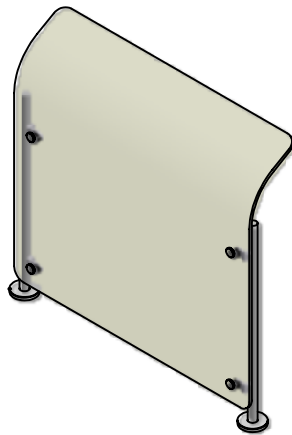
- Single Unit Centerline (L) = _____
- Multi - Section Unit (L) = _____

GLASS:

6mm Bent Tempered Glass Panels
w/ Radius Corners and Polished Edges



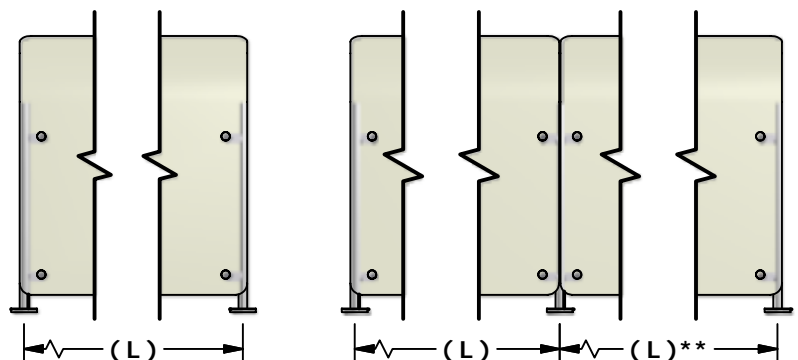
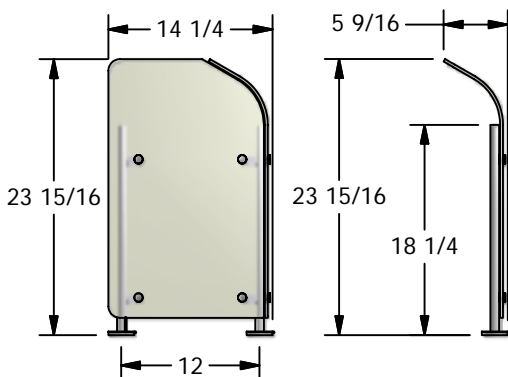
Note:
Lights and/or Warmers
are not available on
this product line



OPTIONS:

- (2) EP1 End Panel
- (1) Left EP1
- (1) Right EP1

MAXIMUM CENTERLINE DIMENSION (L) = 40" PER SECTION
NO LIMIT ON NUMBER OF CONNECTED SECTIONS



**For multiple section units, L1 = L unless specific centerline dimensions are requested.