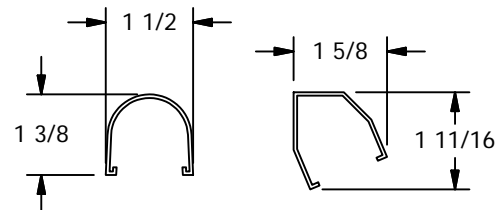


Lighting Options

Lamp Types:

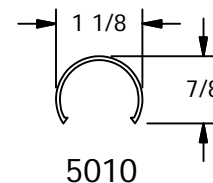
Fixture Styles:

- T8 Trichrome Fluorescent
 - Provides excellent color rendering (85 CRI) as well as maximum efficiency
 - Energy saving magnetic & electronic ballasts
 - Maximum lamp length with integral ballast is 60" (70" fixture), else (2) ballasts, switches required
 - Minimum length with integral ballast is 28"



- Integral Ballast & Switch
 Remote Ballast & Switch
 1085
 1026

- T5 Compact Fluorescent
 - Higher efficiency and better lumens with 85 CRI
 - Remote ballast and switch only



- Tungsten Halogen - (10W or 20W)
 - White light provides sparkle and brilliance
 - High color rendering
 - Maximum of (7) 20W lamps per fixture, else requires (2) remote transformer boxes
 - Remote ballast and switch only



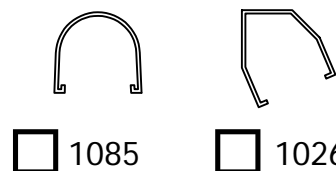
- 1085
 1026
 5010

- Xenon - (10W or 20W)
 - Operates 70 degrees cooler than Halogen lamps
 - Maximum of (7) 20W lamps per fixture, else requires (2) remote transformer boxes
 - Remote ballast and switch only



- 1085
 1026
 5010

- LED - (3W)
 - Proprietary LED board design provides individual LED monitoring for uniform power and full lifespan
 - 3 Watt LED at maximum output
 - 2 wire operation - safe low voltage 24V DC operation
 - Built in surge / transient protection
 - Reverse voltage protection - prevents damage from incorrect installation
 - Available in Neutral (4000K - 4500K) or Cool (5000K - 5500K) color temperatures
 - Remote power supply and switch only



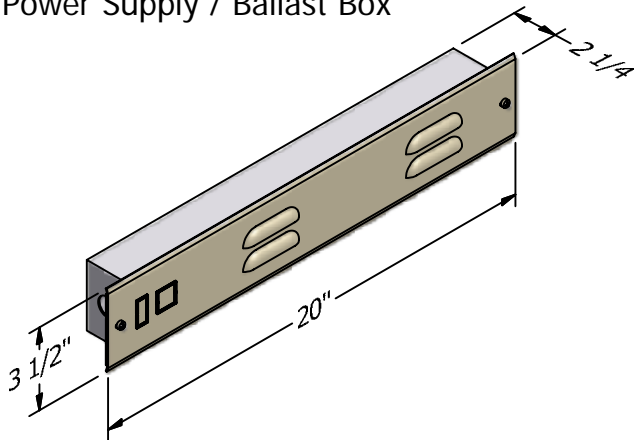
- 1085
 1026
- Neutral (4000K - 4500K)
 Cool (5000K - 5500K)

Power Supply / Ballast / Switch

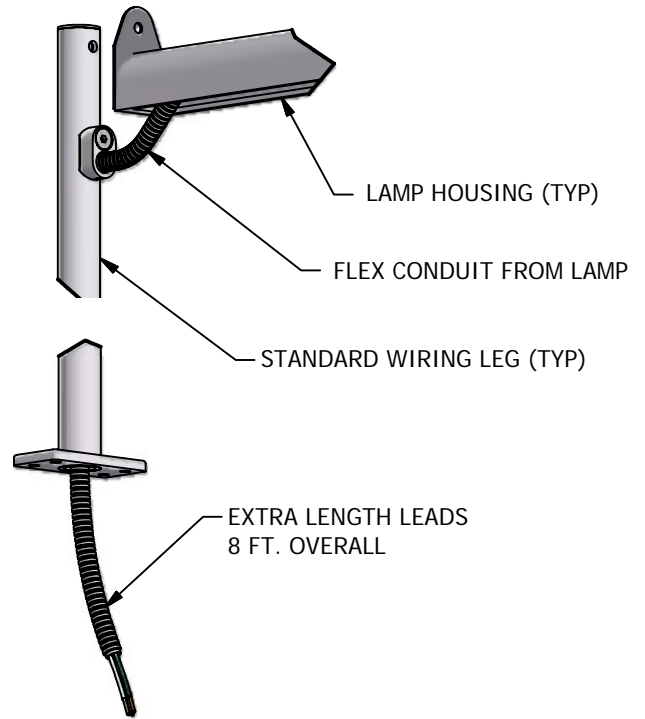


All installations require a power supply / ballast box - remote mounted
Toggle Switch supplied with box for installation by certified electrician

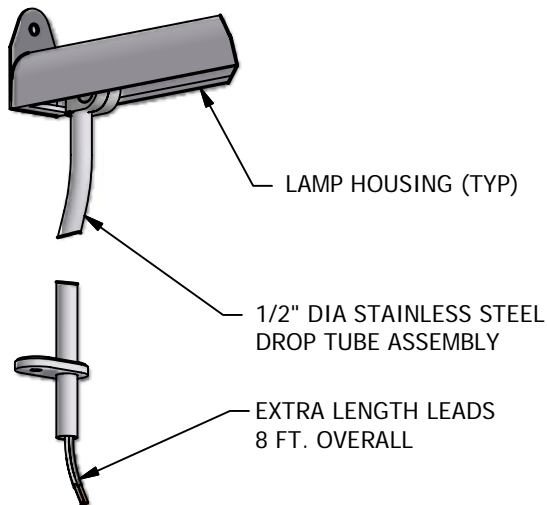
Power Supply / Ballast Box



TYPICAL LAMP WIRING THROUGH PROTECTOR LEG



TYPICAL LAMP WIRING WITH OFFSET DROP TUBE



WIRING NOTE:
EXAMPLES SHOWN ARE TYPICAL STYLES PROVIDED. ACTUAL METHOD WILL DEPEND ON DESIGN CONSTRAINTS, WHICH ARE UNIQUE TO EACH APPLICATION.

LAMP TYPE	WATTS	HOUSING STYLE	MINIMUM LENGTH	MAXIMUM LENGTH	LAMP SPACING
T8		1026 / 8010	17"	144"	
T5		5010	12"	144"	
HALOGEN	10 / 20	1026 / 8010 / 5010	17"	72"	6" / 8" / 10" / 12"
XENON	10 / 20	1026 / 8010 / 5010	17"	72"	6" / 8" / 10" / 12"
LED	3	1026 / 8010	17"	144"	3"