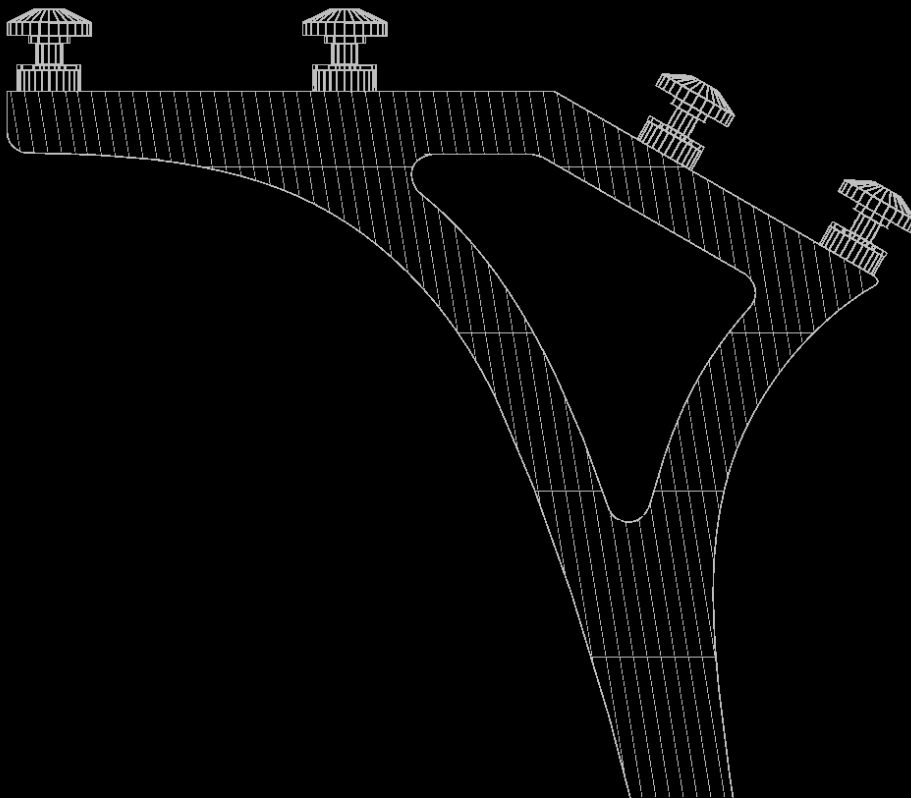


VERSA-GARD[®]



GARDIAN

by VERSA-GARD[®]



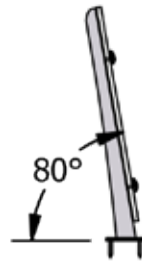
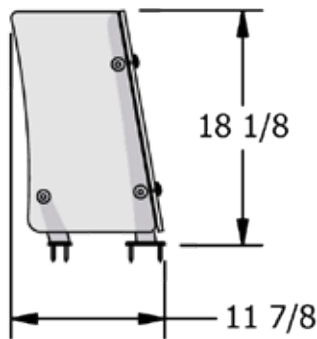
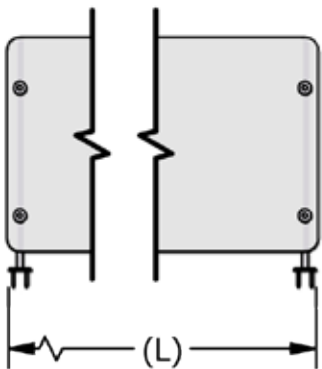
VGG1

GARDIAN
by VERSA-GARD

Atlas Metal
INDUSTRIES, INC.
A subsidiary of Mercury Aircraft, Inc.



Sloped Service Protector
3/8" Clear Tempered Glass Panels w/ Radius Corners
CNC Machined Solid Support Structures
Surface-Mount or Concealed-Mount Hardware
Lights and/or Warmers Not Available
NSF2 Listed



LENGTHS: (L)

- 2 = 35-1/4" O.A.
- 3 = 49" O.A.
- 4 = 62-3/4" O.A.
- 5 = 76-1/2" O.A.
- 6 = 90-1/4" O.A.

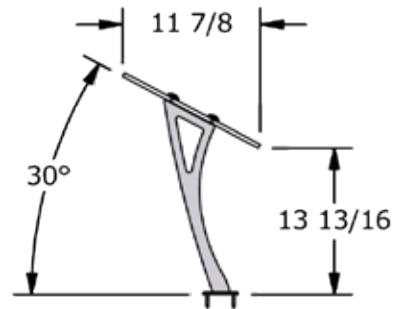
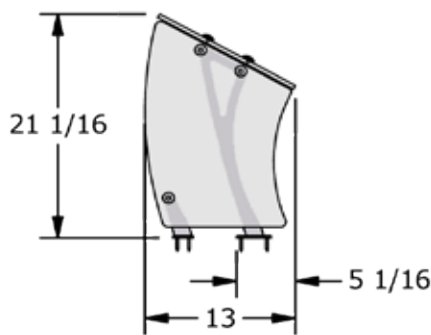
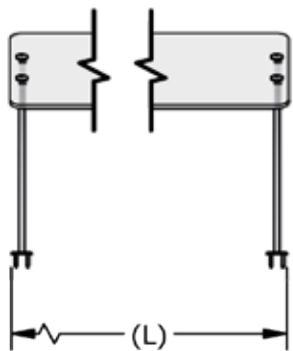
VGG5

GARDIAN
by VERSA-GARD

Atlas Metal
INDUSTRIES, INC.
A subsidiary of Mercury Alcoff, Inc.



Self-Service Protector
3/8" Clear Tempered Glass Panels w/ Radius Corners
CNC Machined Solid Support Structures
Surface-Mount or Concealed-Mount Hardware
Lights and/or Warmers Not Available
NSF2 Listed



LENGTHS: (L)

- 2 = 35-1/4" O.A.
- 3 = 49" O.A.
- 4 = 62-3/4" O.A.
- 5 = 76-1/2" O.A.
- 6 = 90-1/4" O.A.



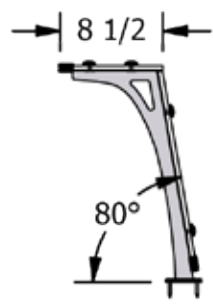
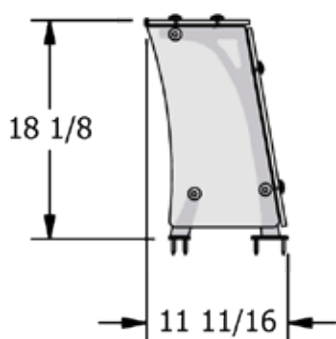
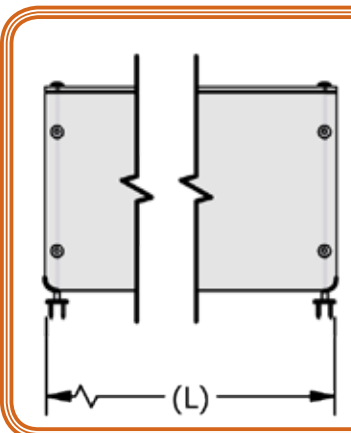
VGG6

GARDIAN
by VERSA-GARD

Atlas Metal
INDUSTRIES, INC.
A subsidiary of Mercury Aircraft, Inc.



Sloped Full-Service Protector w/ 8-1/2" Top Shelf
 3/8" Clear Tempered Glass Panels w/ Radius Corners
 CNC Machined Solid Support Structures
 Surface-Mount or Concealed-Mount Hardware
 Lights and/or Warmers Not Available
 NSF2 Listed



LENGTHS: (L)

- 2 = 35-1/4" O.A.
- 3 = 49" O.A.
- 4 = 62-3/4" O.A.
- 5 = 76-1/2" O.A.
- 6 = 90-1/4" O.A.

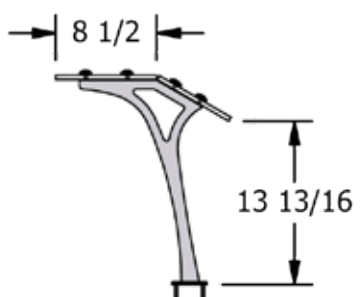
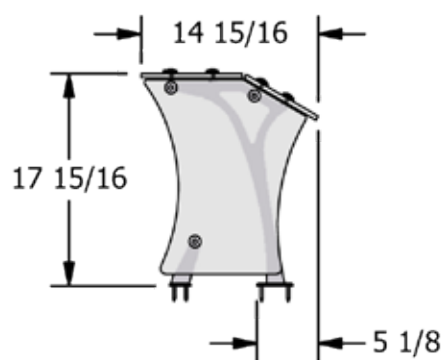
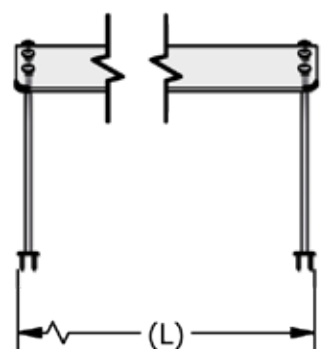
VGG7

GARDIAN
by VERSA-GARD

Atlas Metal
INDUSTRIES, INC.
A subsidiary of Mercury Alcoa, Inc.



Self-Service Protector w/ 8-1/2" Top Shelf
3/8" Clear Tempered Glass Panels w/ Radius Corners
CNC Machined Solid Support Structures
Surface-Mount or Concealed-Mount Hardware
Lights and/or Warmers Not Available
NSF2 Listed



LENGTHS: (L)

- 2 = 35-1/4" O.A.
- 3 = 49" O.A.
- 4 = 62-3/4" O.A.
- 5 = 76-1/2" O.A.
- 6 = 90-1/4" O.A.

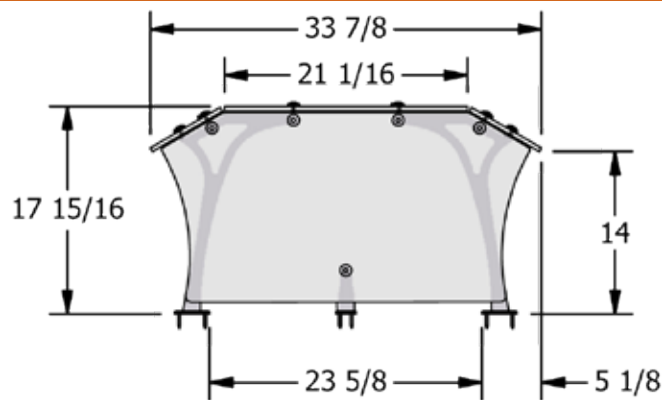
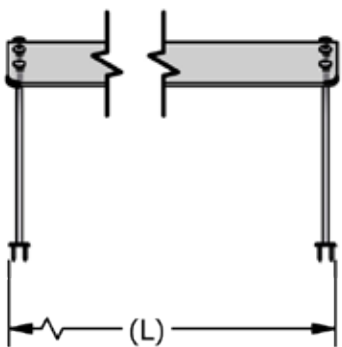
VGG7_{DS}

GARDIAN
by VERSA-GARD

Atlas Metal
INDUSTRIES, INC.
A subsidiary of Mercury Aircraft, Inc.



Double-Sided Self-Service Protector w/ Top Shelf
3/8" Clear Tempered Glass Panels w/ Radius Corners
CNC Machined Solid Support Structures
Surface-Mount or Concealed-Mount Hardware
Lights and/or Warmers Not Available
NSF2 Listed



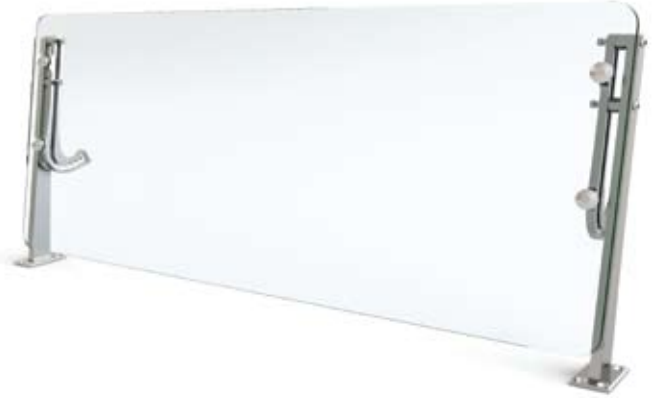
LENGTHS: (L)

- 2 = 35-1/4" O.A.
- 3 = 49" O.A.
- 4 = 62-3/4" O.A.
- 5 = 76-1/2" O.A.
- 6 = 90-1/4" O.A.

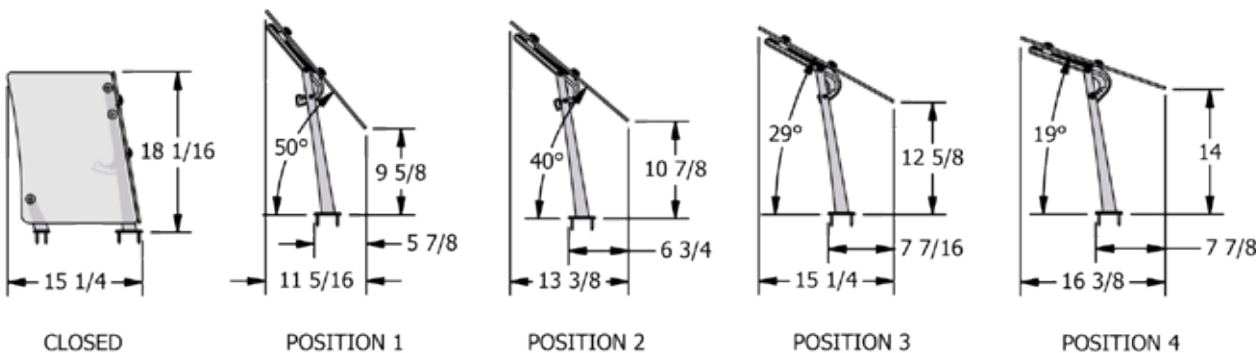
VGG15

GARDIAN
by VERSA-GARD

Atlas Metal
INDUSTRIES, INC.
A subsidiary of Mercury Aircraft, Inc.



5-Position Convertible Protector
1/4" Clear Tempered Glass Panels w/ Radius Corners
Easily Converts from Service to Self-Service
No Fasteners or Knobs to Adjust
CNC Machined Solid Support Structures
Surface-Mount or Concealed-Mount Hardware
Lights and/or Warmers Not Available
NSF2 Compliant in All Positions



LENGTHS: (L)

- 2 = $35 \frac{1}{4}$ " O.A.
- 3 = 49" O.A.
- 4 = $62 \frac{3}{4}$ " O.A.
- 5 = $76 \frac{1}{2}$ " O.A.
- 6 = $90 \frac{1}{4}$ " O.A.

VERSA-GARD®

EUROPA
by Versa-Gard

SlimLine
by Versa-Gard

EXO
by Versa-Gard

EXO^{CP}
by Versa-Gard

GARDIAN
by Versa-Gard

OFFERED EXCLUSIVELY BY



Atlas Metal

INDUSTRIES, INC.

A subsidiary of Mercury Aircraft, Inc

1135 N.W. 159th DRIVE, MIAMI, FLORIDA 33169

TEL.: (305) 625-2451 TOLL FREE (800) 762-7565 FAX: (305) 623-0475

Web Page: www.atlasfoodserv.com E-Mail: sales@atlasfoodserv.com

END PANELS



EP 1
VGG1



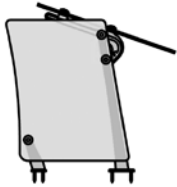
EP 2
VGG5



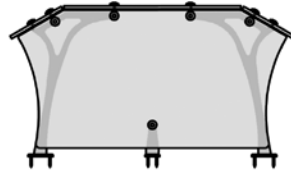
EP 3
VGG6



EP 4
VGG7



EP 5
VGG15

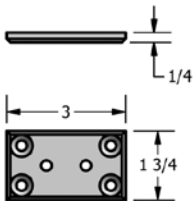


EP 6
VGG7DS

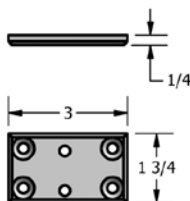
PRODUCT FEATURES

- CNC Machined Solid Support Structures
- Surface-Mount or Concealed-Mount Hardware
- NSF2 Listed
- Standard Finishes:
Black or Silver
Powder Coat
Satin Clear, Gray or
Black Anodized
Aluminum
- Lights and/or Warmers
Not Available

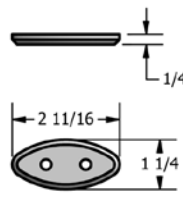
MOUNTING FLANGE



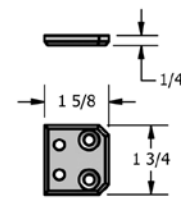
FL6.1



FL6.2



FL6.3



FL6.4

VERSA-GARD®

www.versa-gard.com

Copyright © 2007 Versa-Gard® All rights reserved.

