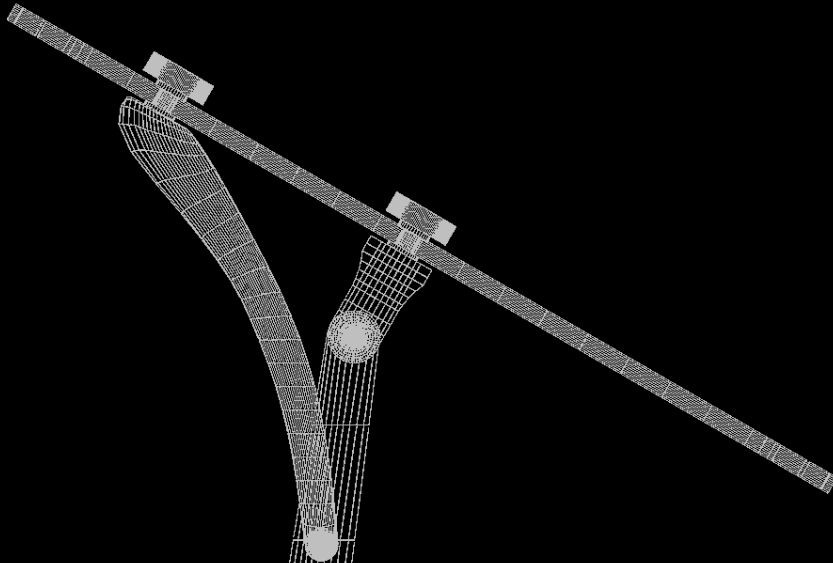


VERSA-GARD®



EXO^{G2}TM

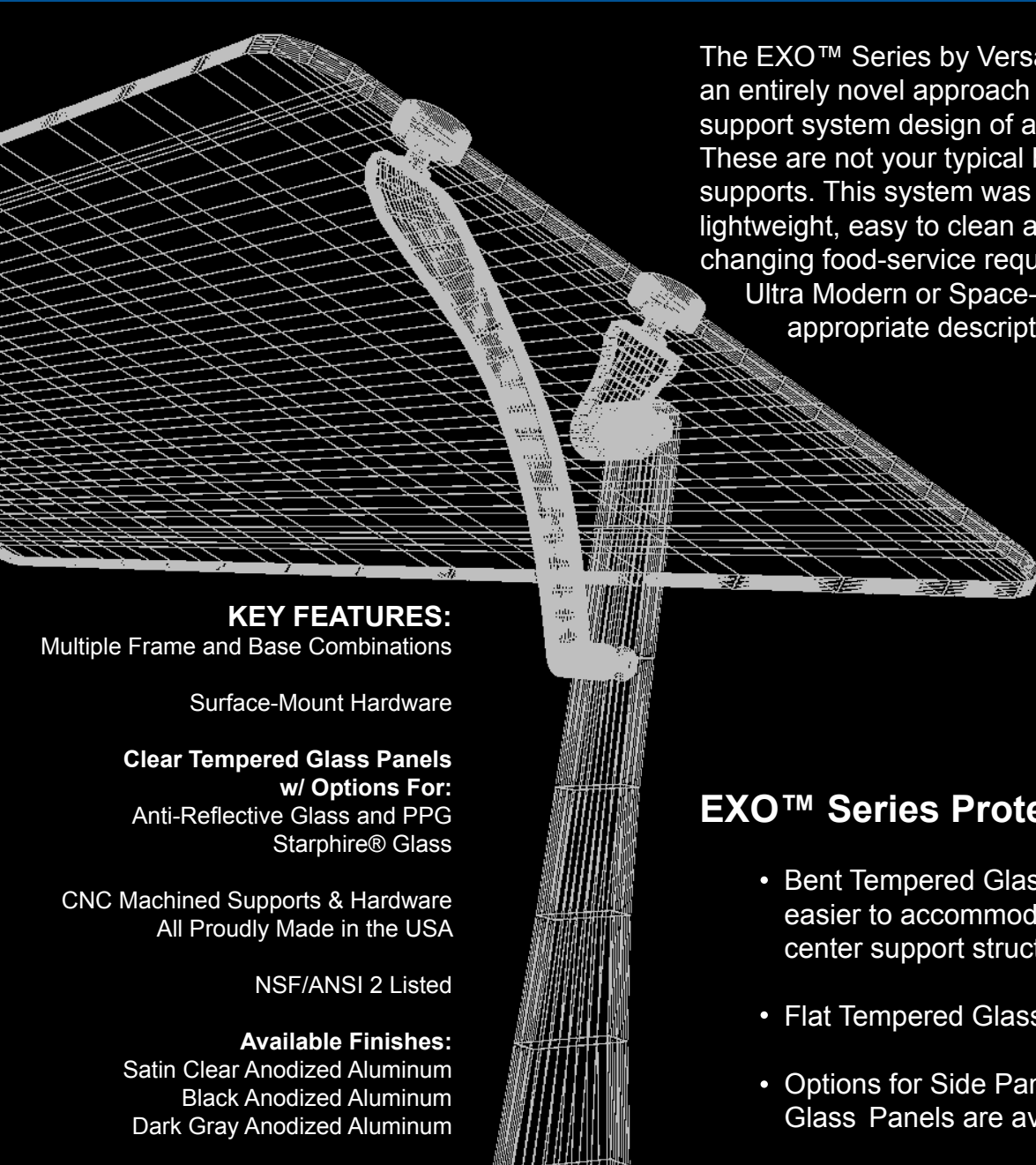
by VERSA-GARD®



INTRODUCING

EXO^{G2}TM

by VERSA-GARD[®]



The EXOTM Series by Versa-Gard[®] introduces an entirely novel approach to the structural support system design of a food protector. These are not your typical bulky round tubing supports. This system was designed to be lightweight, easy to clean and easy to adapt to changing food-service requirements.

Ultra Modern or Space-Age would be appropriate descriptions.

KEY FEATURES:

Multiple Frame and Base Combinations

Surface-Mount Hardware

Clear Tempered Glass Panels

w/ Options For:

Anti-Reflective Glass and PPG

Starphire[®] Glass

CNC Machined Supports & Hardware

All Proudly Made in the USA

NSF/ANSI 2 Listed

Available Finishes:

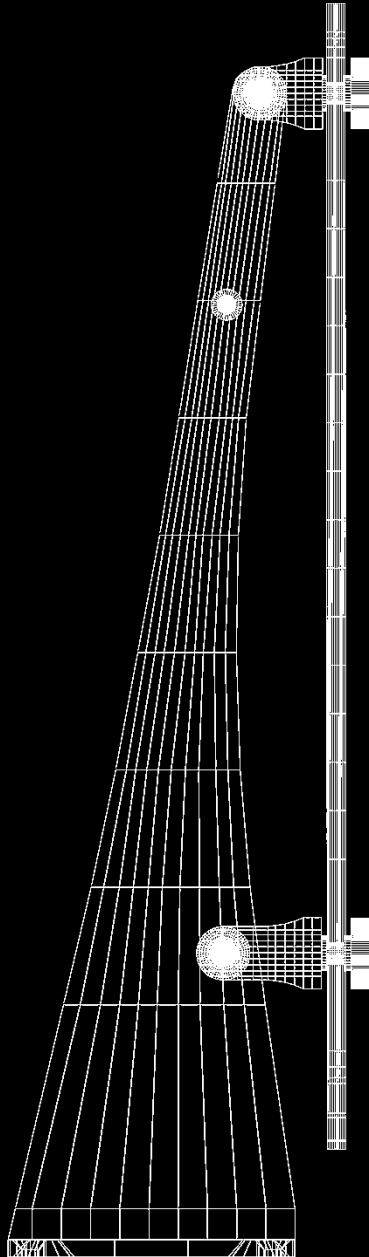
Satin Clear Anodized Aluminum

Black Anodized Aluminum

Dark Gray Anodized Aluminum

EXOTM Series Protectors Features:

- Bent Tempered Glass - make longer spans easier to accommodate without the use of center support structures.
- Flat Tempered Glass.
- Options for Side Panels and Anti-Reflective Glass Panels are available.



Finish Options

Satin Clear Anodized Aluminum,
Black Anodized Aluminum,
Dark Gray Anodized Aluminum
(color of your choice).

Product boasts all of
the features inherent to

VERSA-GARD[®]
products

- Easy to install
- Easy to clean
- Easy to disassemble for replacement of parts or add-on components
- One-Year Limited Warranty
- CNC Machined Components and Precision Laser-Cut Profiles
- Proudly Made in the USA
- NSF/ANSI 2 Listed.

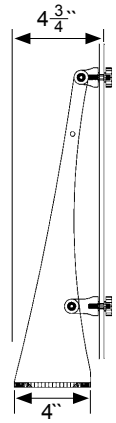
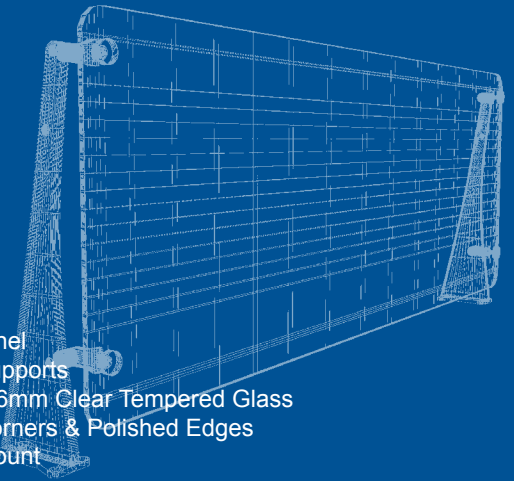


EXO^{G2}

1

Full Service Food Protector

6mm Clear Tempered Glass Panel
 48" Maximum Span between Supports
 Side Return Panels available – 6mm Clear Tempered Glass
 All Glass Panels with Radius Corners & Polished Edges
 Surface-Mount or Concealed Mount

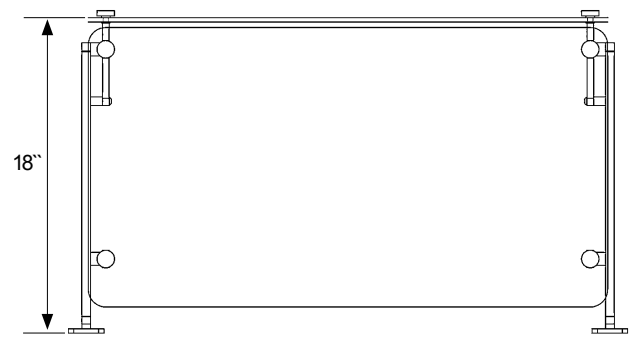
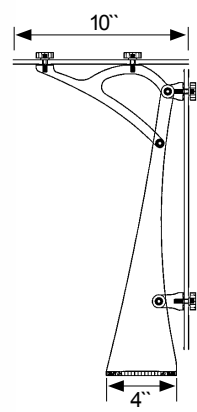
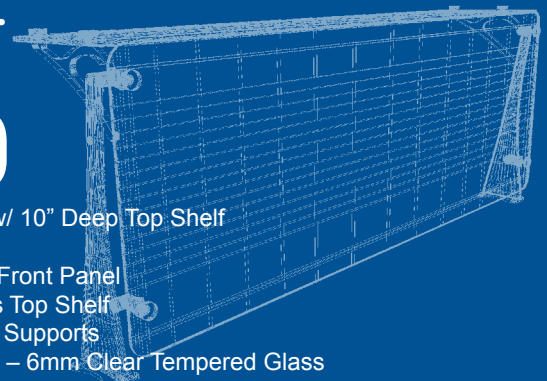


EXO^{G2}

6

Full Service Food Protector w/ 10" Deep Top Shelf

6mm Clear Tempered Glass Front Panel
 10mm Clear Tempered Glass Top Shelf
 48" Maximum Span between Supports
 Side Return Panels available – 6mm Clear Tempered Glass
 All Glass Panels with Radius Corners & Polished Edges
 Surface-Mount or Concealed Mount

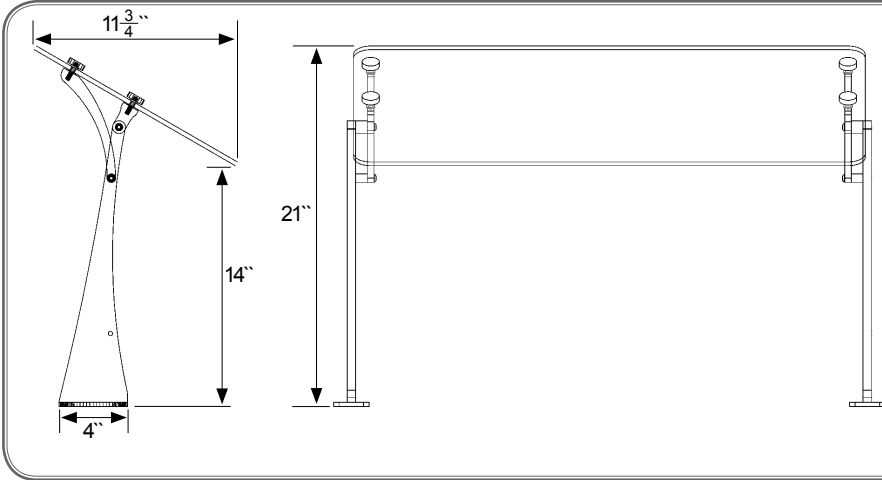


EXO^{G2}

5

Self-Service Food Protector

- 6mm Clear Tempered Glass Panel
- 48" Maximum Span between Supports
- Side Return Panels available – 6mm Clear Tempered Glass
- All Glass Panels with Radius Corners & Polished Edges
- Surface-Mount or Concealed Mount

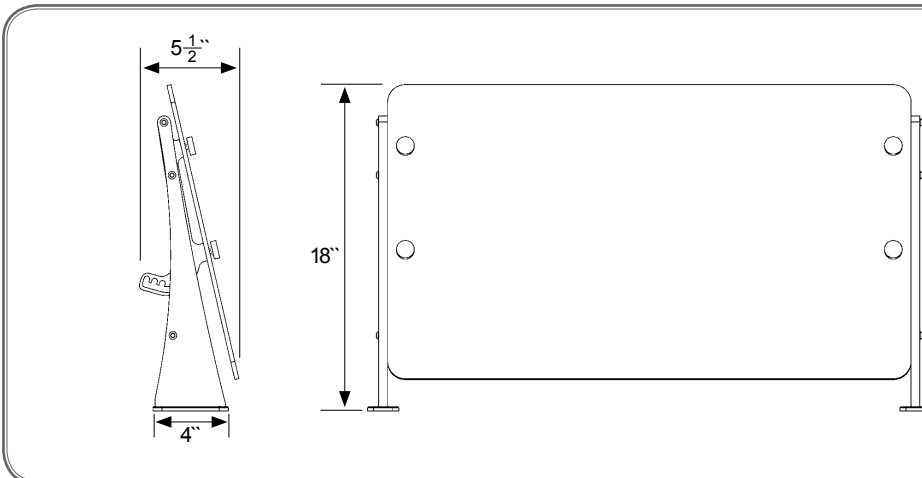


EXO^{G2}

15

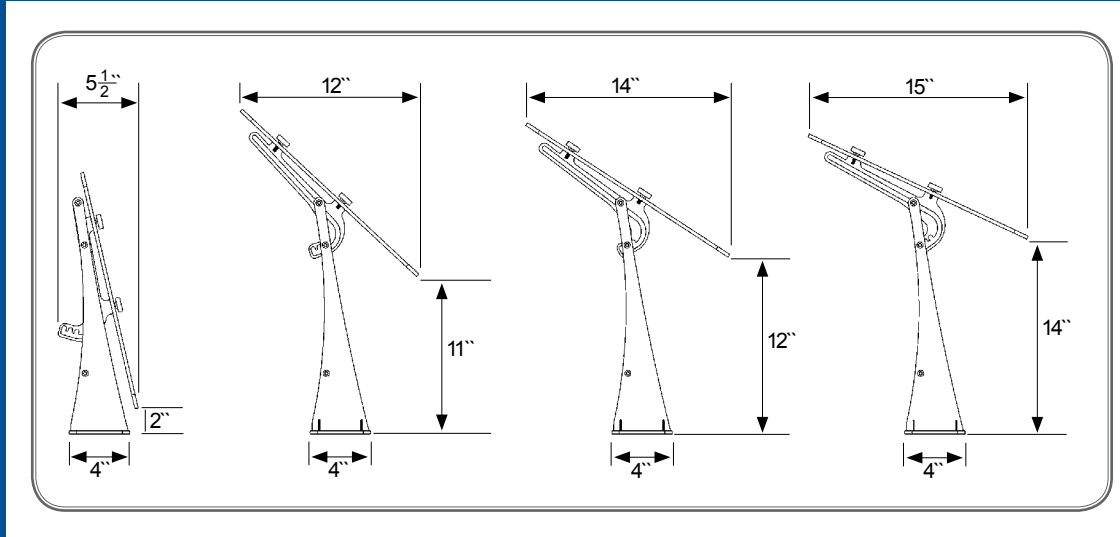
4 Position Convertible Food Protector

- All 4 Positions Conform to NSF2
- No Fasteners or Knobs to Adjust
- 6mm Clear Tempered Glass Panel
- 48" Maximum Span between Supports
- Side Return Panels available – 6mm Clear Tempered Glass
- All Glass Panels with Radius Corners & Polished Edges
- Surface-Mount or Concealed Mount



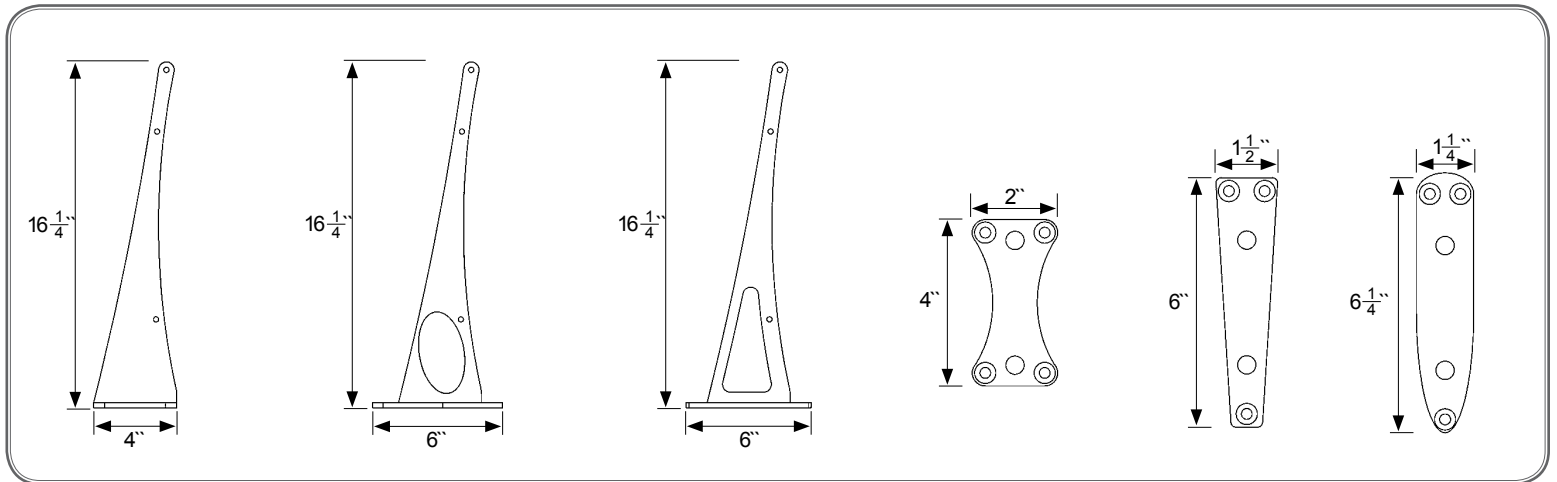
EXO^{G2} 15

ADJUSTABLE POSITION VARIATIONS



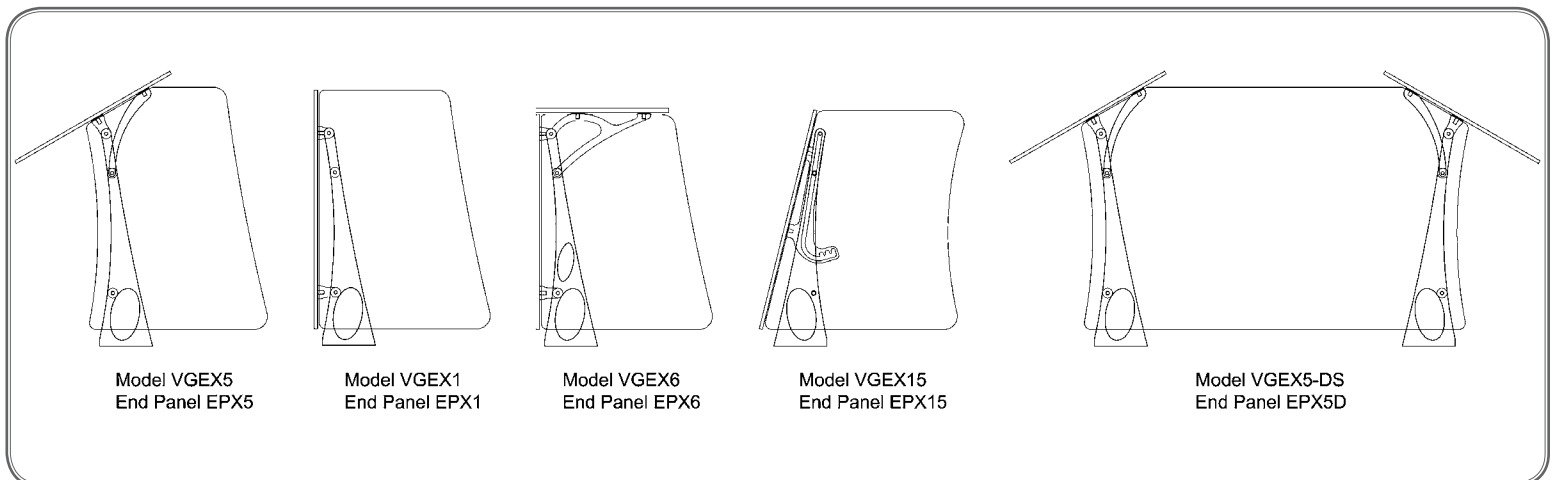
EXO^{G2}

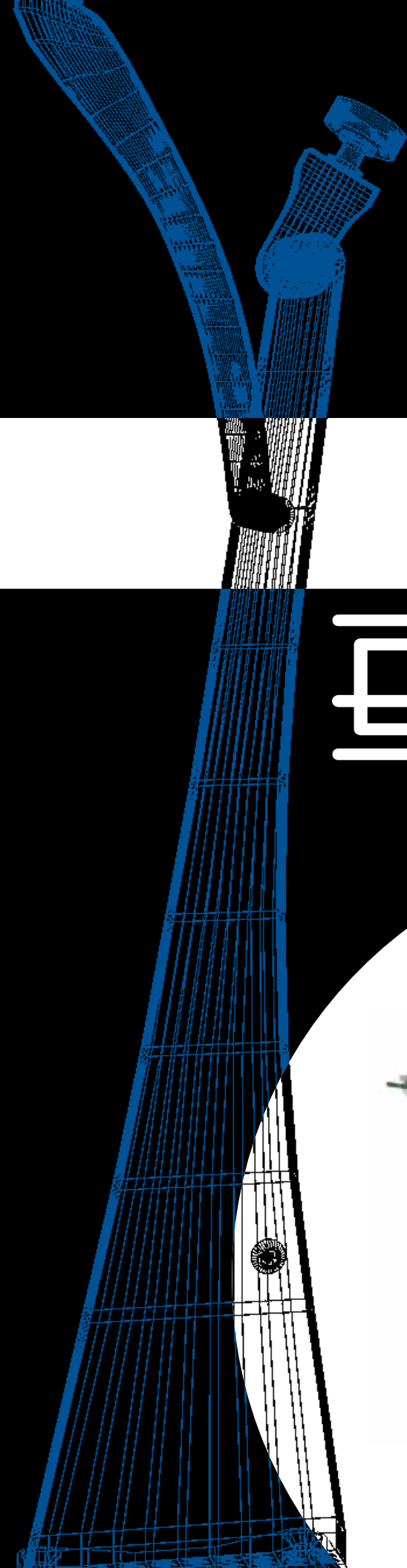
SUPPORT AND FLANGE OPTIONS



EXO^{G2}

EPX - SIDE GLASS OPTIONS





EXO^{G2}TM

by VERSA-GARD[®]



VERSA-GARD®

EUROPA™
by VERSA-GARD

SlimLine™
by VERSA-GARD

EXO™
by VERSA-GARD

EXO²™
by VERSA-GARD

Ph: 678 730 4155
Fax: 678 730 4160
www.versa-gard.com
012710

Distributed by:

VERSA-GARD®

Copyright © 2010 Versa-Gard® All rights reserved.

